



# NORTHERN 4-8-4

## AND 52' TENDER

### WITH SMOKE



## INSTRUCTIONS

### LUBRICATION AND MAINTENANCE

Proper lubrication is important BUT IT MUST NOT BE OVERDONE. Your local Hobby Dealer will recommend the proper lubricant. Grease is recommended for gears and lightweight oil for axles and bearings. Apply oil by dipping the end of a toothpick into the oil and applying just one drop to wheel bearings of cars, locomotive and side rod screws of steam locomotive. Wipe off excessive oil. Too much lubrication can cause slipping drive wheels or even a short circuit. LUBRICATE CAREFULLY. BE SURE LUBRICANT IS COMPATIBLE WITH PLASTIC. Check for any dirt or lint between the brush and armature, and also between the pick-up strip and wheels which can cause a "jerky" operation.

### BREAK-IN PERIOD

Like any fine piece of machinery, your precision engineered BACHMANN Trains will work best after a few hours of actual running time. Do not run at full speed. Frequent starts and stops and running at various speeds will assure you many years of trouble-free running.

### TROUBLE-SHOOTING TIPS

1. If your locomotive doesn't run, check the following:
  - a. Check that the power pack is plugged in;
  - b. Check that the track is wired properly;
  - c. Make sure all locomotive wheels are on the track.
2. If your locomotive doesn't run, but the headlight glows, you may not have your track connected to the DC TERMINALS on the power pack.
3. Keep your track and the metal wheels of the locomotive clean with track cleaner. Dirt will cause your locomotive to run erratically. DO NOT USE STEEL WOOL.

### TO ORDER SPARE PARTS

See your Hobby Dealer first.  
If not available thru him...

**WRITE TO BACHMANN**  
**1400 E. ERIE AVENUE**  
**PHILADELPHIA, PA. 19124**

List part numbers required  
and send a check or money  
order for the cost of the  
parts plus 50¢ for postage  
and handling.

**Include a Self-Addressed  
Envelope and We'll Do the Rest**

### STOCK NO.

### SPARE PARTS LIST

### DESCRIPTION

### LIST PRICE

2021	Coupler	\$0.50	Pair
2911	Smoke Unit	5.00	Each
3732	Light Bulb and Retainer	1.50	Set
3721	Pilot Truck and Wheels Assembly complete with Washer and Spring	3.50	Set
3722	Trailing Truck and Wheels Assembly complete with Washer and Spring	5.00	Set
3724	Drive Wheels Assembly	10.00	Set
3725	Valve Gear Assembly, Right	7.50	Set
3726	Valve Gear Assembly, Left	7.50	Set
3235	Chassis Underframe	3.50	Set
3240	Motor	15.00	Each
3241	Diecast Chassis, Left and Right	7.50	Set
3242	Insulating Spacer (4 Pcs)	1.00	Set
3727	Screws (11 Pcs)	1.50	Set
3244	Idler Gears (2 Pcs)	2.50	Set
2925	Brushes, Springs and Contact Plates (6 Pcs)	2.50	Set
2926	Motor Armature	3.00	Each
1725	Smoke Liquid (3 Pcs/Card)	3.00	Each
3245	Traction Tire	0.25	Each
2305	Tender Underframe with Weight	1.50	Each
2306	Tender Truck Frame	1.00	Each
2332	4-8-4 Loco Shell, Decorated	15.00	Each
2333	Tender Wheels	1.00	Pair
2308	Draw Bar	0.50	Pair
2342	4-8-4 Tender Shell, Decorated	7.50	Each

## ALL BACHMANN LOCOMOTIVES HAVE A LIFETIME LIMITED WARRANTY

### PLEASE NOTE: BREAKAGE FROM DROPPING OR MISUSE IS NOT COVERED BY THIS WARRANTY.

Bachmann Ind., Inc. will remedy any defect or malfunction occurring in the locomotive within the lifetime of the purchaser. This warranty does not extend to defects or malfunctions which are caused by damage (not resulting from the defect or malfunction) while the locomotive is in the possession of any consumer, or by unreasonable use (including failure to provide proper lubrication) while the locomotive is in the possession of any consumer.

This warranty is given in lieu of all other express warranties. All implied warranties, including but not limited to implied warranties of fitness and merchantability, shall expire one year from the date of purchase. Some states do not allow limitations on how long an implied warranty lasts, so the above limitation may not apply to you.

Under no circumstances shall Bachmann Ind., Inc. be responsible for any incidental or consequential damages arising in regard to any Bachmann Ind., Inc. locomotive. Some states do not allow the exclusion or limitation of incidental or consequential damages, so the above limitation or exclusion may not apply to you.

In order to validate this warranty, the Owner Registration Card enclosed in your set must be completed and mailed within ten (10) days

after purchase of the locomotive to Bachmann Ind., Inc., 1400 East Erie Avenue, Philadelphia, Pa. 19124.

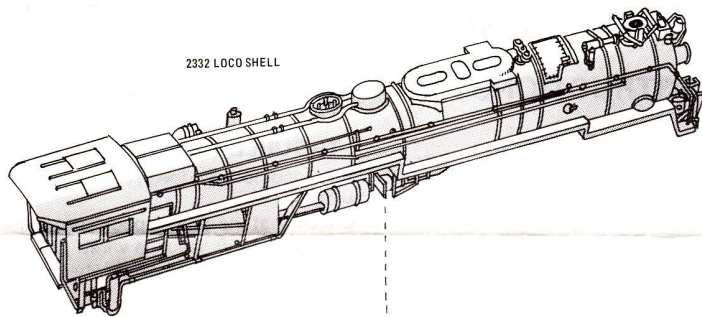
If warranty service is required within one year from the date of purchase, please send the locomotive, postage prepaid, to Bachmann Ind., Inc., 1400 East Erie Avenue, Philadelphia, Pa. 19124. Also, please write a letter explaining the nature of your difficulty and enclose it with the locomotive.

If warranty service is required after more than one year from the date of purchase, please send the locomotive, postage prepaid, with a check or money order (\$10.00 for diesel locomotives or \$15.00 for steam locomotives) to cover return postage and handling, to Bachmann Ind., Inc., 1400 East Erie Avenue, Philadelphia, Pa. 19124. Also, please write a letter explaining the nature of your difficulty and enclose it with the locomotive.

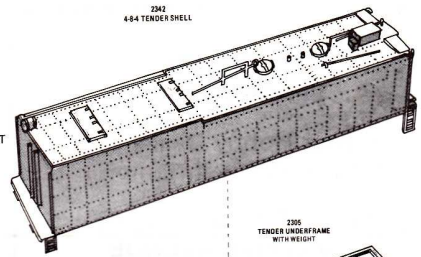
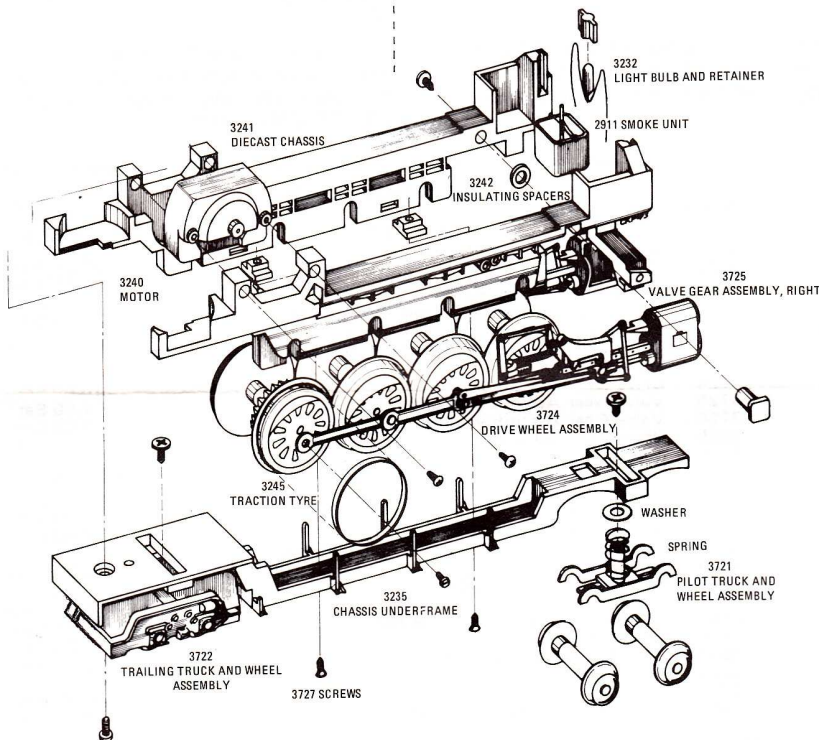
At the option of Bachmann Ind., Inc., the locomotive will be either repaired or replaced, except that if both repair and replacement are not practicable, then a refund of the purchase price will be made.

This warranty gives you specific legal rights, and you may also have other rights which vary from state to state.

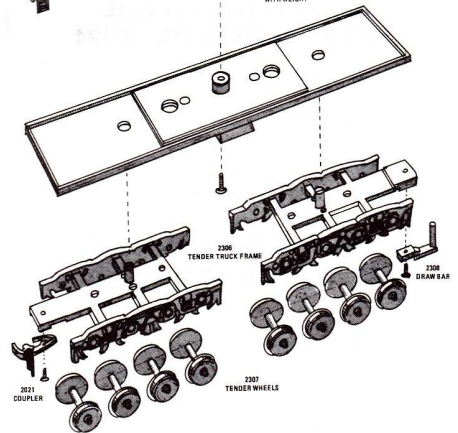
In the event you have any questions concerning use and care of the locomotive or any complaints concerning service, please write: Bachmann Ind., Inc., 1400 East Erie Avenue, Philadelphia, Pa. 19124.



2332 LOCO SHELL

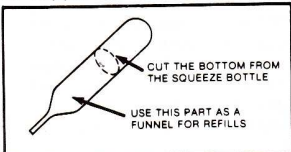


2342 TENDER SHELL

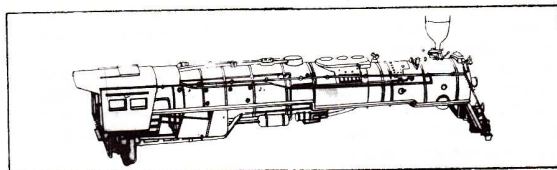


**SMOKE LIQUID INSTRUCTIONS**

Smoke liquid is packed with your locomotive. The liquid goes into the opening indicated in the engine diagram. Squeeze only a few drops into the opening. Replenish it when the smoke stops. For best results do not overfill. When the original supply runs out, you can purchase more—but save the ORIGINAL BOTTLE. A 2 oz. bottle of smoke fluid is available from Bachmann (No. 2293 in the catalog). You can make a funnel for refills by cutting the original plastic bottle that came with the loco.



- (A) Insert tip of smoke oil and squeeze.
- (B) Wipe off excessive liquid. Locomotive should be run one minute to produce smoke. The higher the speed . . . the more smoke. Best results are at about 3/4 speed.



**BACHMANN**

1400 E. ERIE AVENUE  
PHILADELPHIA, PA. 19124 U.S.A.